

JOLIET JEC-EMD 79 Drilling Motor

Series Wound Reconditioned Drilling Motor
Continuous rating of motor for mud pump
and rotary table is 800 HP and intermittent
rating for drawworks duty is 1000 HP.
Continuous rating is at 750 VDC,
850 Amperes, 1000 RPM.



Joliet JEC-EMD 79

Features:

- ✓ Self Excited Reconditioned Series Field.
- ✓ Reconditioned EMD Armature, Single Tapered shaft extension with New hub.
- ✓ Class H insulation
- ✓ New Heavy Duty Pressurized connection box mounted on left side of motor as viewed from commutator end, with double bolt on armature cable connections and terminations for space heater, auxiliary switch, and pressure sensor. Connection box can be specified on right side.
- ✓ New Space Heater, 120/240 Volts, Explosion Proof.

- ✓ New Crouse-Hinds Auxiliary lockout switch, explosion proof.
- ✓ New Blower Assembly, Explosion Proof, 460 Volt, 60 Hz, providing 2600 CFM of cooling @ 7.2 In. of water.
- ✓ New Dwyer Pressure sensor, explosion-proof.
- ✓ Approximate Weight: 6,150 lbs., 2,789 kg.

Additional Specifications:

- Force Ventilated
- Enclosure: Weatherproof
- (2) Part Epoxy Paint System, Grey in Color
- Leads: 535 MCM
- Inspection Covers: Bolt-on or Snap-on type
- 4270 lb. ft. Torque @ 1000rpm (800hp)
- Print#04B501 – D79 & M79 Motor w/o Blower, Hub
Print#00B350 – Blower Only

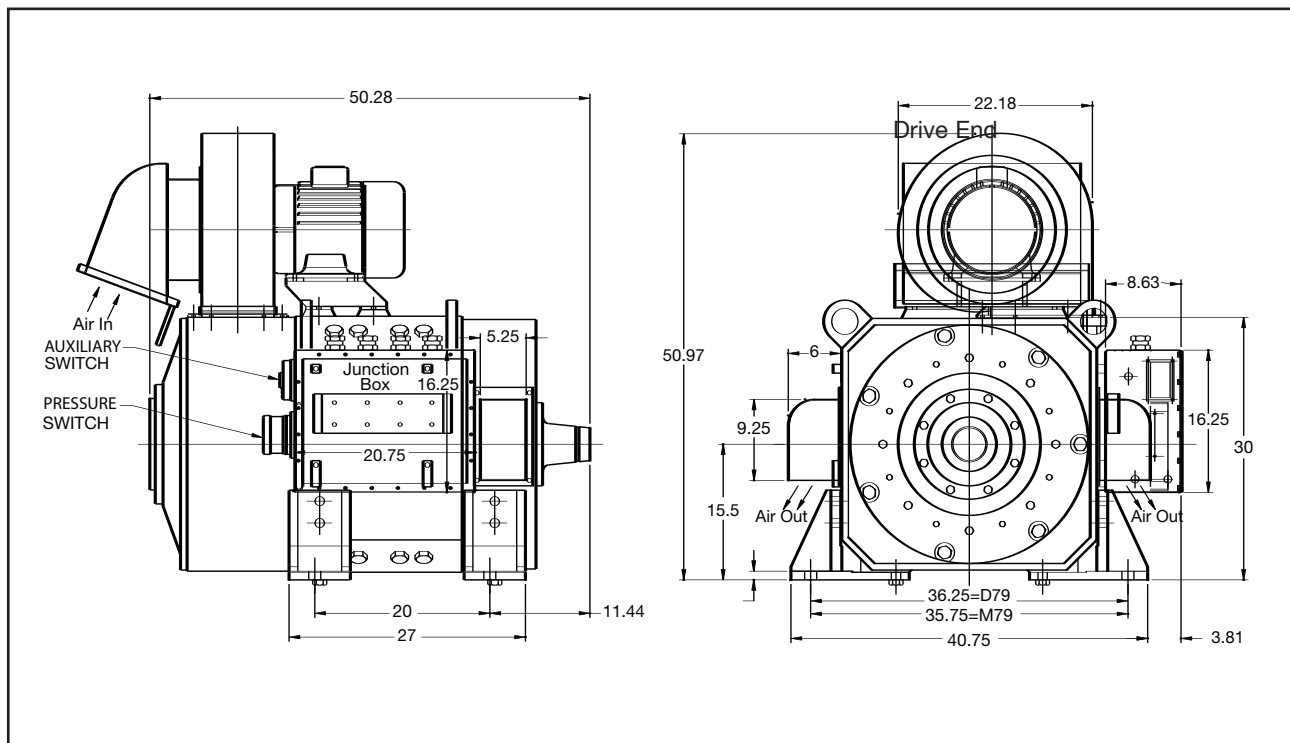
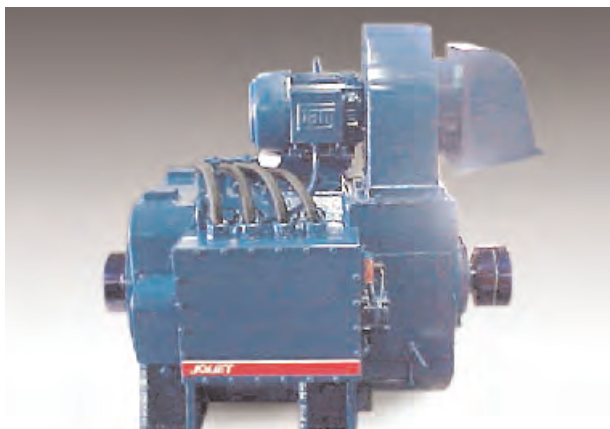
JOLIET

Joliet Equipment Corporation
Joliet Electric Motor Co.
P.O. Box 114
Joliet, Illinois 60434 USA

(800) 435-9350 (713) 467-7559
Fax: (713) 467-7887

www.joliet-equipment.com • tractionmotors.com

JEC-EMD 79 Dimensions



Not to be used for construction.

Approximate Weight: 6,150lbs

Dimensions are in inches.



Joliet Equipment Corporation
Joliet Electric Motor Co.
 P.O. Box 114
 Joliet, Illinois 60434 USA

(800) 435-9350 (713) 467-7559
 Fax: (713) 467-7887
www.joliet-equipment.com • tractionmotors.com