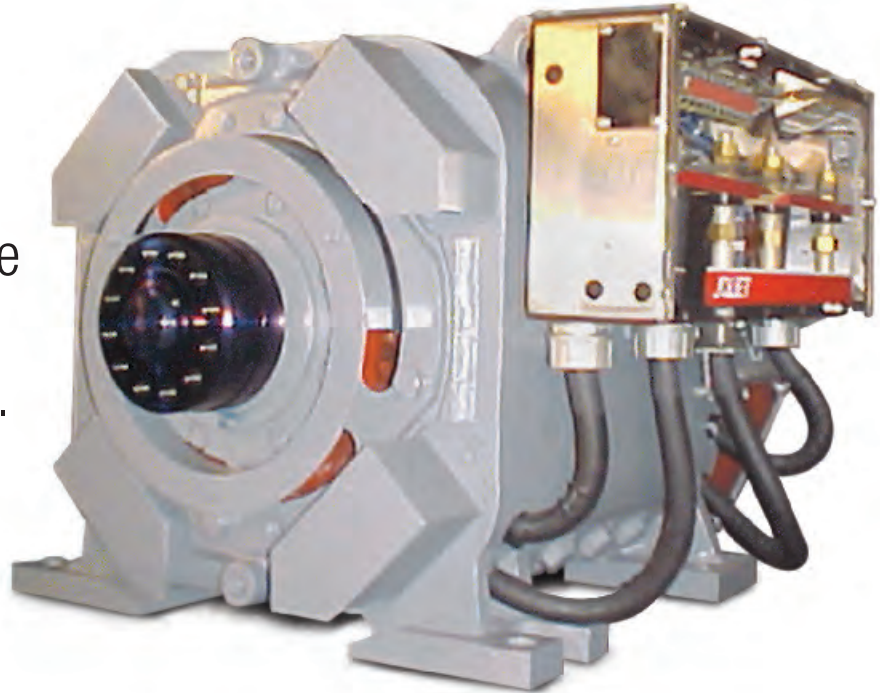


# JOLIET C75ZB(E)-F DC Drilling Motor

Joliet Equipment Corporation...  
the quality source for  
Drilling Motors.  
For more than 70  
years our motors have  
delivered Quality,  
Value and Reliability...  
...Day-in—Day-out.



Joliet is an industry leader, providing traction motors for offshore drilling, land drilling, marine, and manufacturing markets. Converting old locomotive frames with rebuilt internals is a thing of the past. Joliet has developed a new factory specified frame, the **Joliet C75Z**, to an identical match of G.E.'s 752 traction motor.

## Improve Your Bottom Line

The **Joliet C75Z** meets all of the G.E. performance specifications, except for the cost. Joliet continues to provide standard 1000HP and new high torque series & shunt wound traction motors. All types of variations for protection & blower options are available.

**Joliet's C75Z** has proven reliability throughout the drilling & marine industries and continues to meet & exceed all expectations. The **Joliet C75Z** provides competitive pricing and unsurpassed quality.

\* 752® is a registered trademark of GE Transportation Systems.

# JOLIET

**Joliet Equipment Corporation**  
**Joliet Electric Motor Co.**  
P.O. Box 114  
Joliet, Illinois 60434 USA

(800) 435-9350 (713) 467-7559  
Fax: (713) 467-7887  
[www.joliet-equipment.com](http://www.joliet-equipment.com) • [tractionmotors.com](http://tractionmotors.com)

# Features

- ✓ New factory drilling frame & mechanical components
- ✓ Class H electrical components tested to GE Specs
- ✓ New drive hub
- ✓ New pressurized connection box with terminal block
- ✓ New precision formed plated copper bolt on connection buss work
- ✓ New XP lockout switch
- ✓ New XP pressure switch
- ✓ New Space Heater, 120/240 VAC, Explosion Proof
- ✓ New brushes
- ✓ New bearings
- ✓ New 10 HP blower with 55° C Amb. XP Motor
- ✓ New bolt on chain bosses (PE)
- ✓ Red oxide primer inside & out with 2 part grey marine epoxy over all exterior surfaces
- ✓ New die cut class H field coil ground insulation
- ✓ New or remanufactured radial constant pressure brush holders
- ✓ Precision dynamic balance better than ISOG2
- ✓ New lead cable with pass thru terminals
- ✓ High torque—New 646 Armored lead cable
- ✓ ISO 9001:2000 Quality Program
- ✓ New cushioned “ Export Spec.” shipping skid
- ✓ Shrink-wrap w/Desiccant
- ✓ 12/18 month warranty

## Three Key Features Distinguish Joliet's C75Z From The Competition

**1** Dimensionally Interchangeable with the 752 (no variances in blower mounts, no welded feet, etc.)

**2** Competitively Priced

**3** Superior Quality



Joliet C75Z Drive End View



Joliet C75Z Opposite Drive End



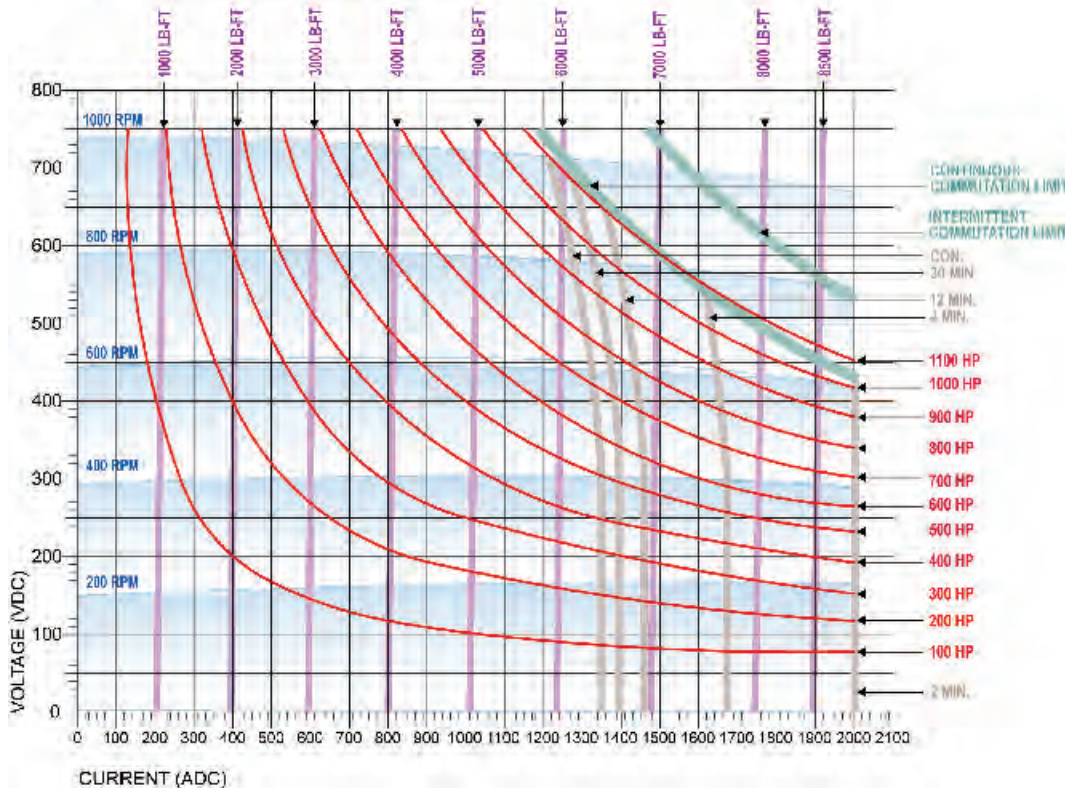
Joliet C75Z New Drilling Frame Opposite Drive End View



Joliet C75Z New Drilling Frame Drive End View

# Performance / Specifications

**JOLIET C75Z DRILLING MOTOR**  
CHARACTERISTICS AND APPLICATION LIMITS  
60 FIELD AMPS AT 2800 SCFM VENTILATION

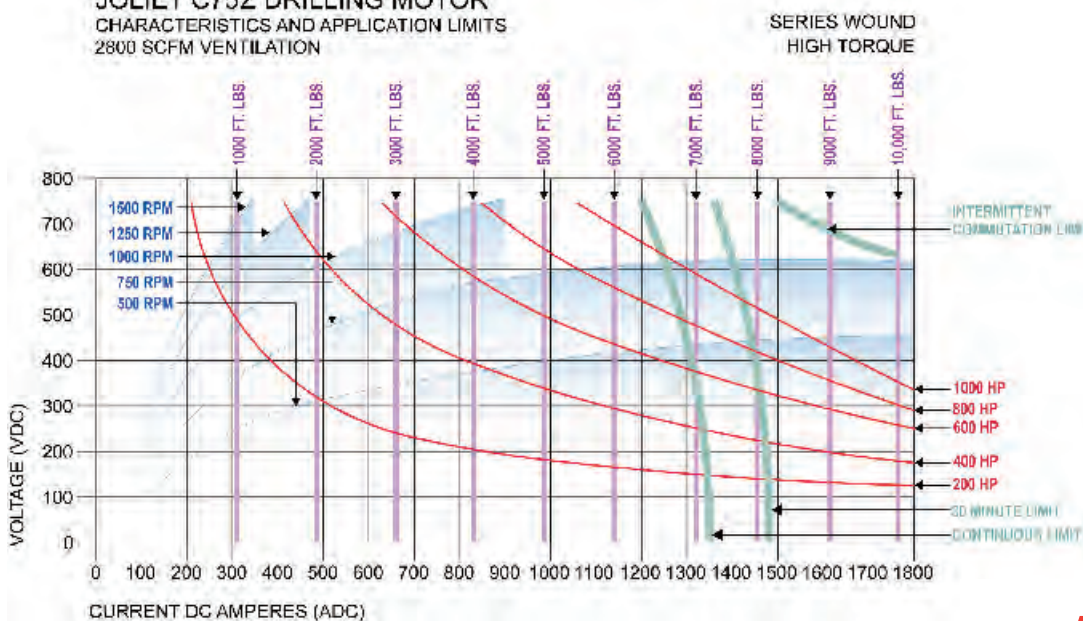


**NOTE:**  
Overload: RMS current from beginning of overload to beginning of succeeding overload not to exceed the continuous current rating given at highest voltage used. Duration of an overload should not exceed times indicated.

## Shunt Wound

- 1130 HP continuous duty
- 1365 HP intermittent duty
- 750 Volts, 60 Amp., 1185 Amperes, 1040 RPM
- Class H insulation

**JOLIET C75Z DRILLING MOTOR**  
CHARACTERISTICS AND APPLICATION LIMITS  
2800 SCFM VENTILATION



## Series Wound

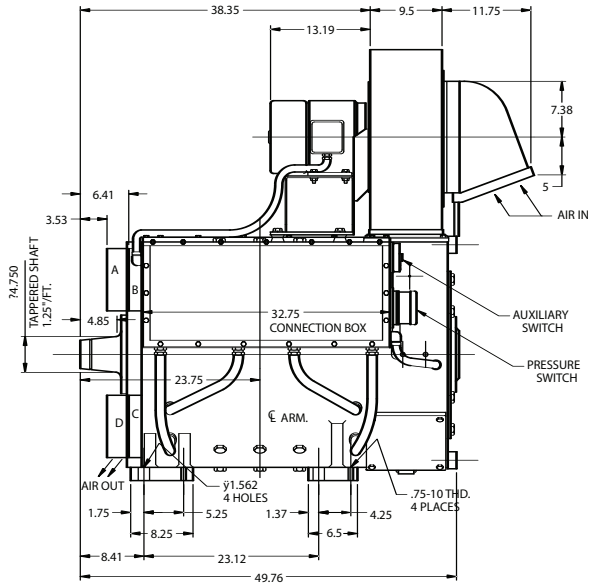
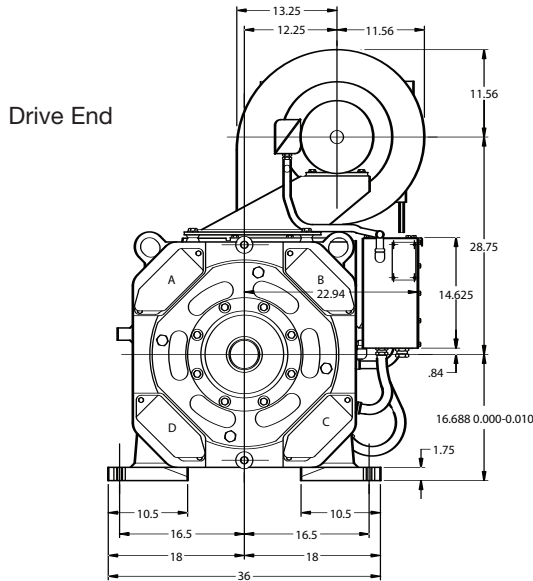
- 1085 HP continuous duty
- 1320 HP intermittent duty
- 750 VDC, 1150 Amperes, 965 RPM
- Class H insulation

**JOLIET**

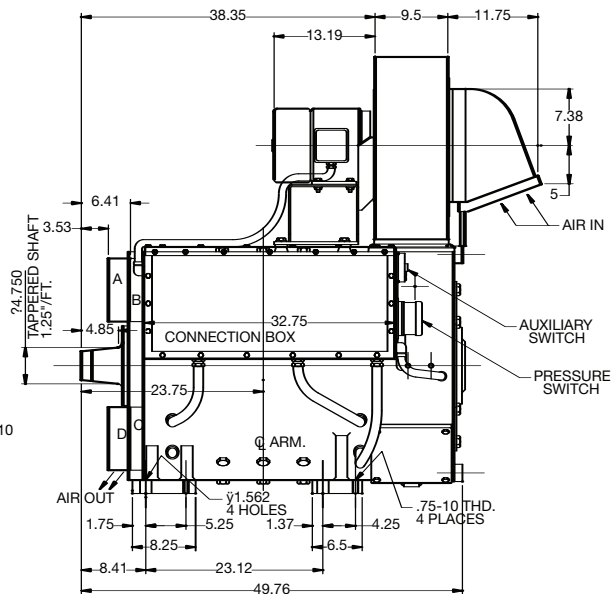
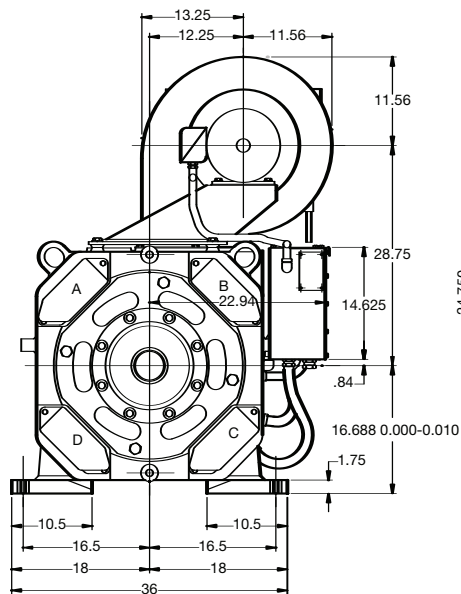
Joliet Equipment Corporation  
Joliet Electric Motor Co.

# JOLIET C75ZB(E)-F Dimensions

## C75ZB Series Wound



## C75ZE Shunt Wound



Not to be used for construction.

Approximate Weight: 7,225 lbs

Dimensions are in inches.

# JOLIET

Joliet Equipment Corporation  
 Joliet Electric Motor Co.  
 P.O. Box 114  
 Joliet, Illinois 60434 USA

(800) 435-9350 (713) 467-7559

Fax: (713) 467-7887

www.joliet-equipment.com • tractionmotors.com